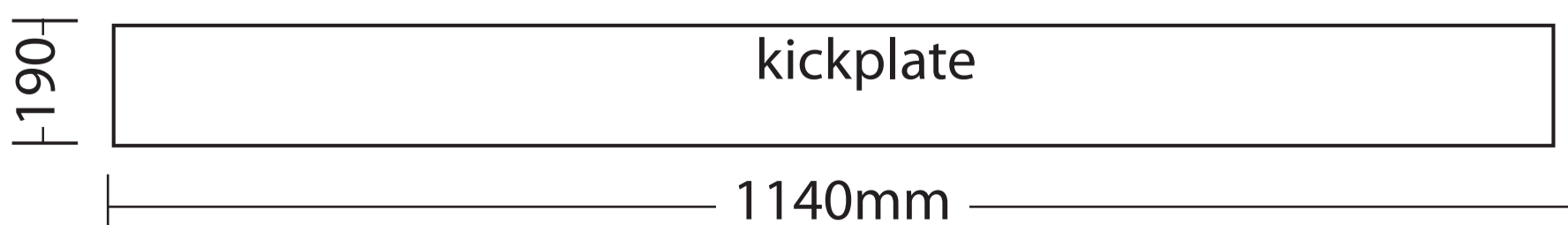
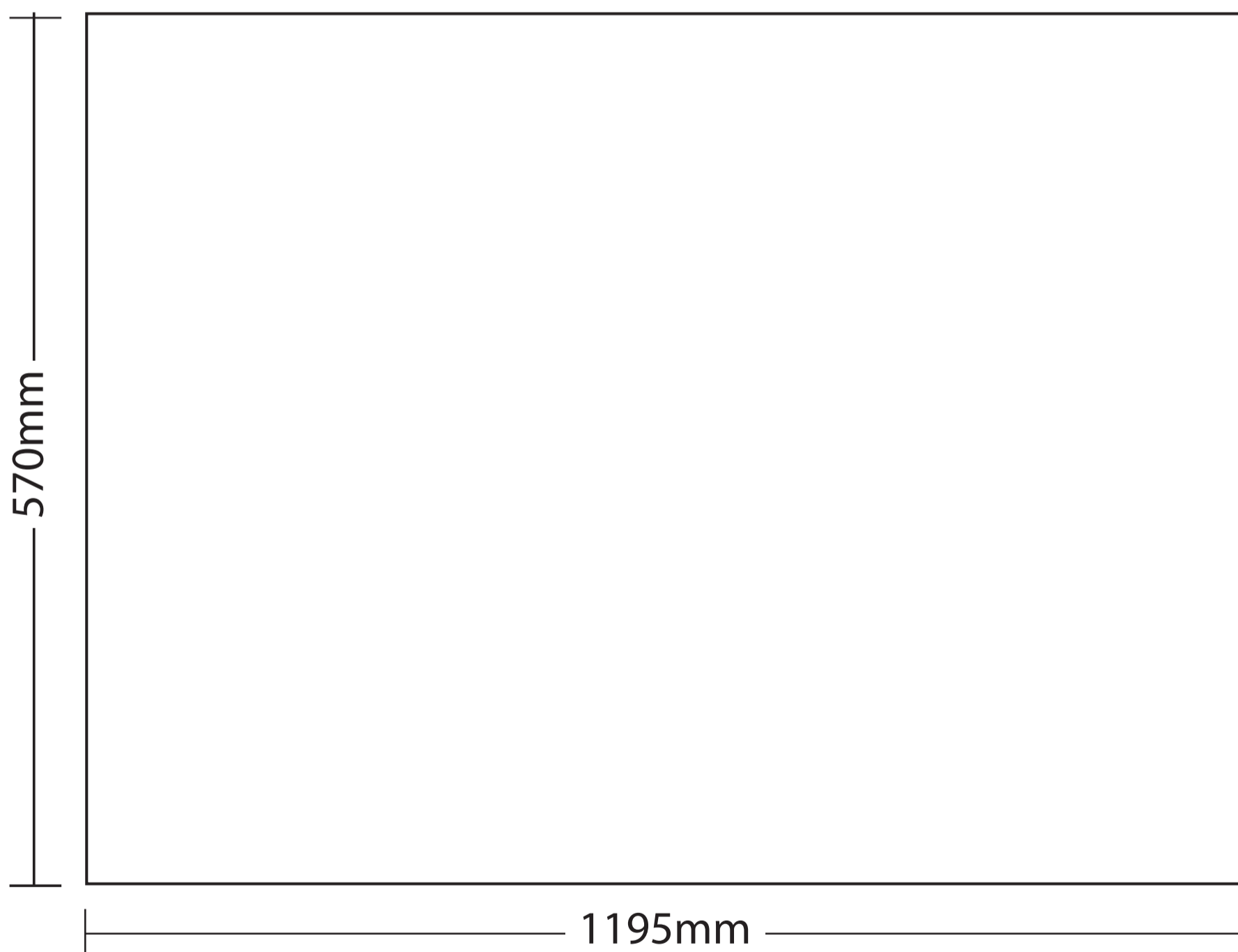
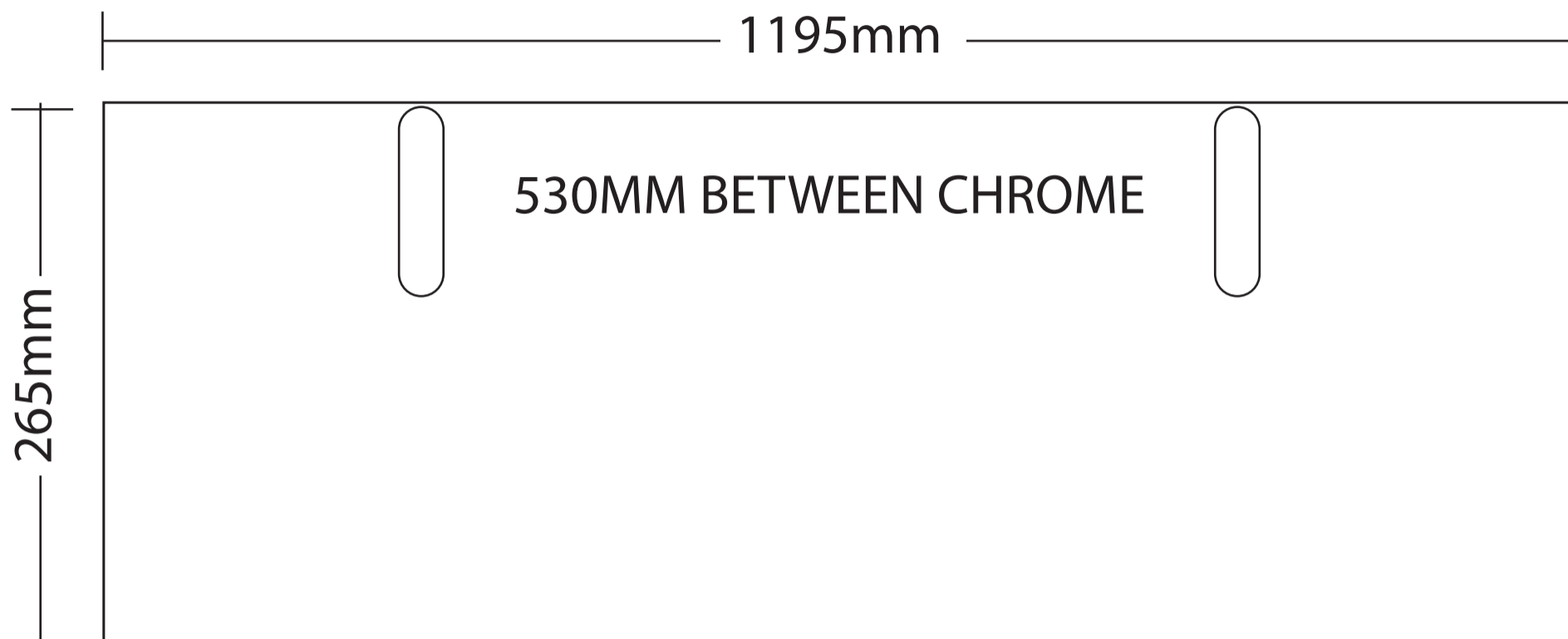


# ZIP BAR - STRAIGHT BAR

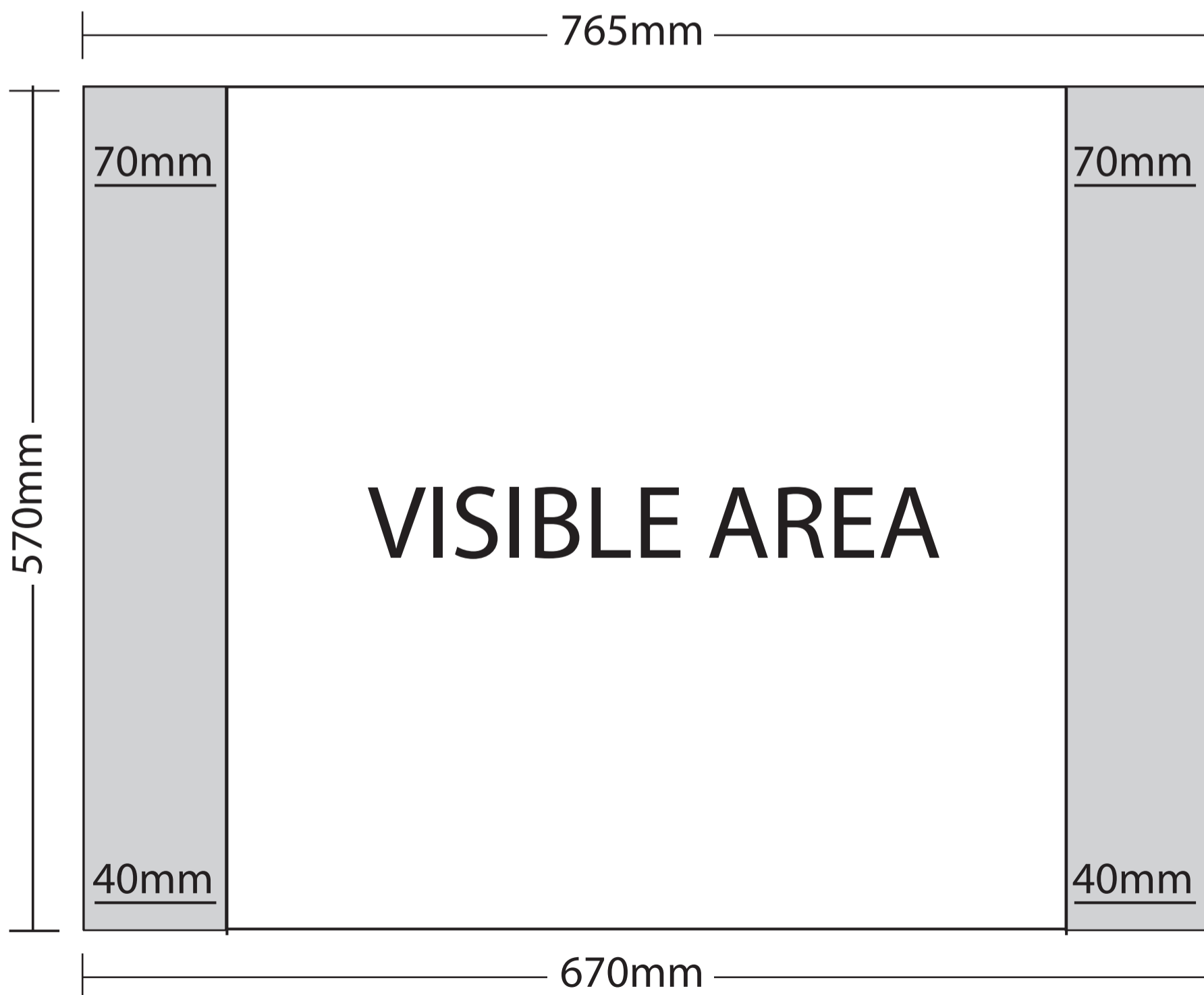
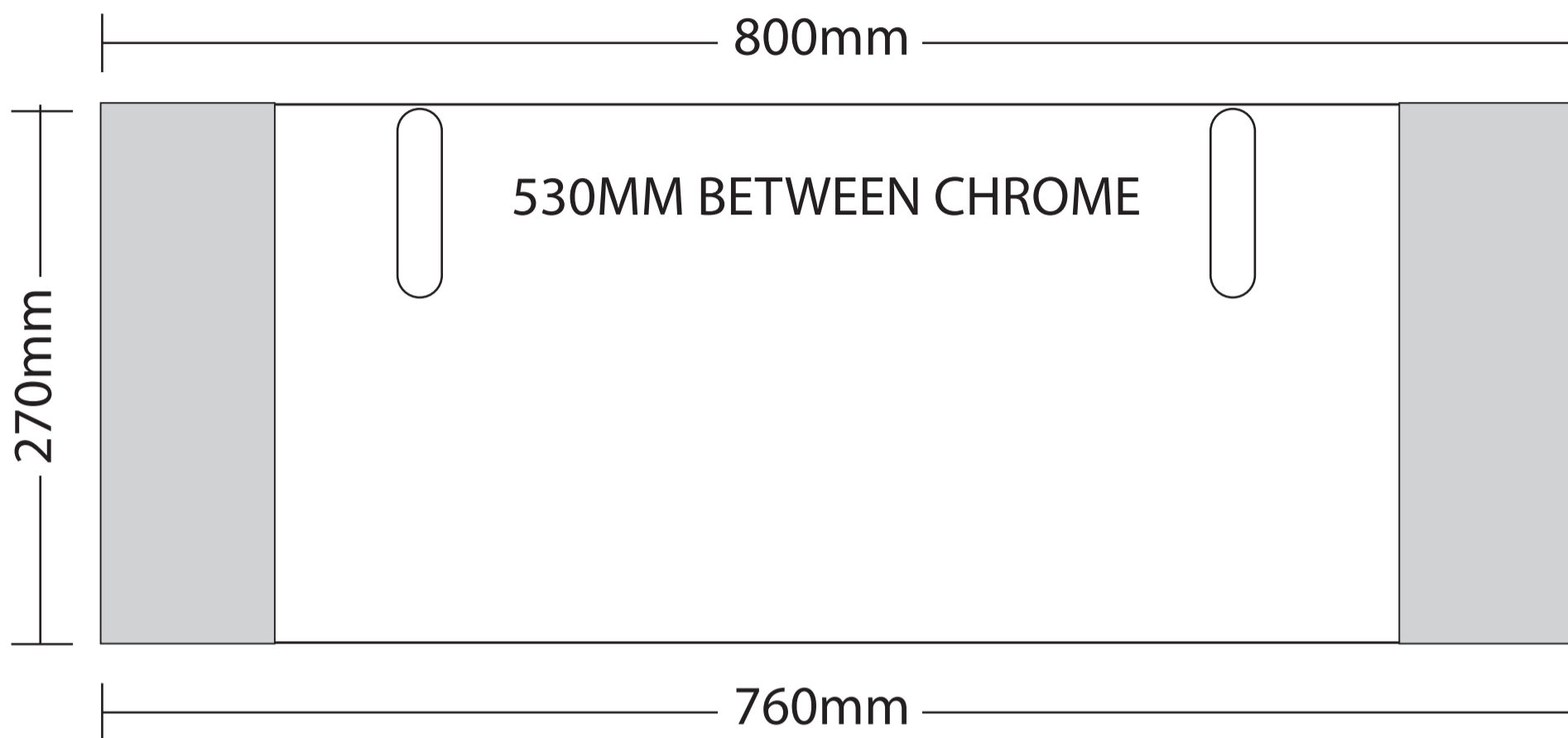
NOTE: When creating artwork, make panels 20mm bigger on each dimension to allow for wrap.



NOT TO SCALE.

# ZIP BAR - CORNER BAR

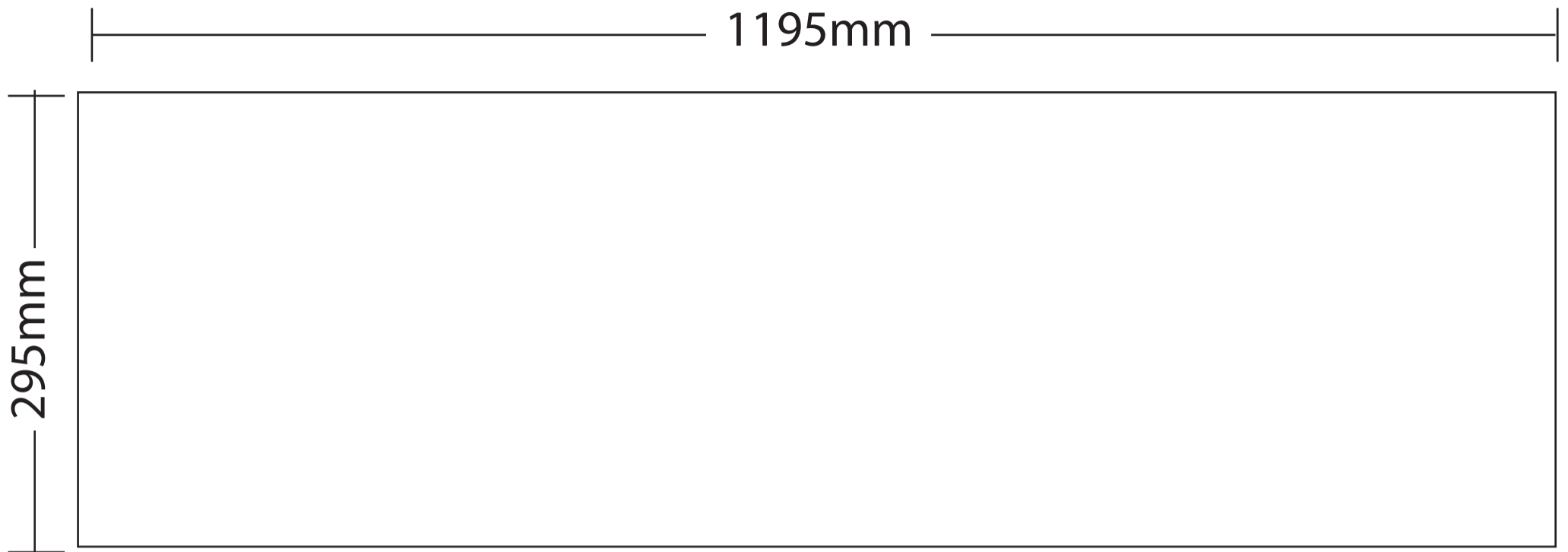
NOTE: When creating artwork, make panels 20mm bigger on each dimension to allow for wrap.



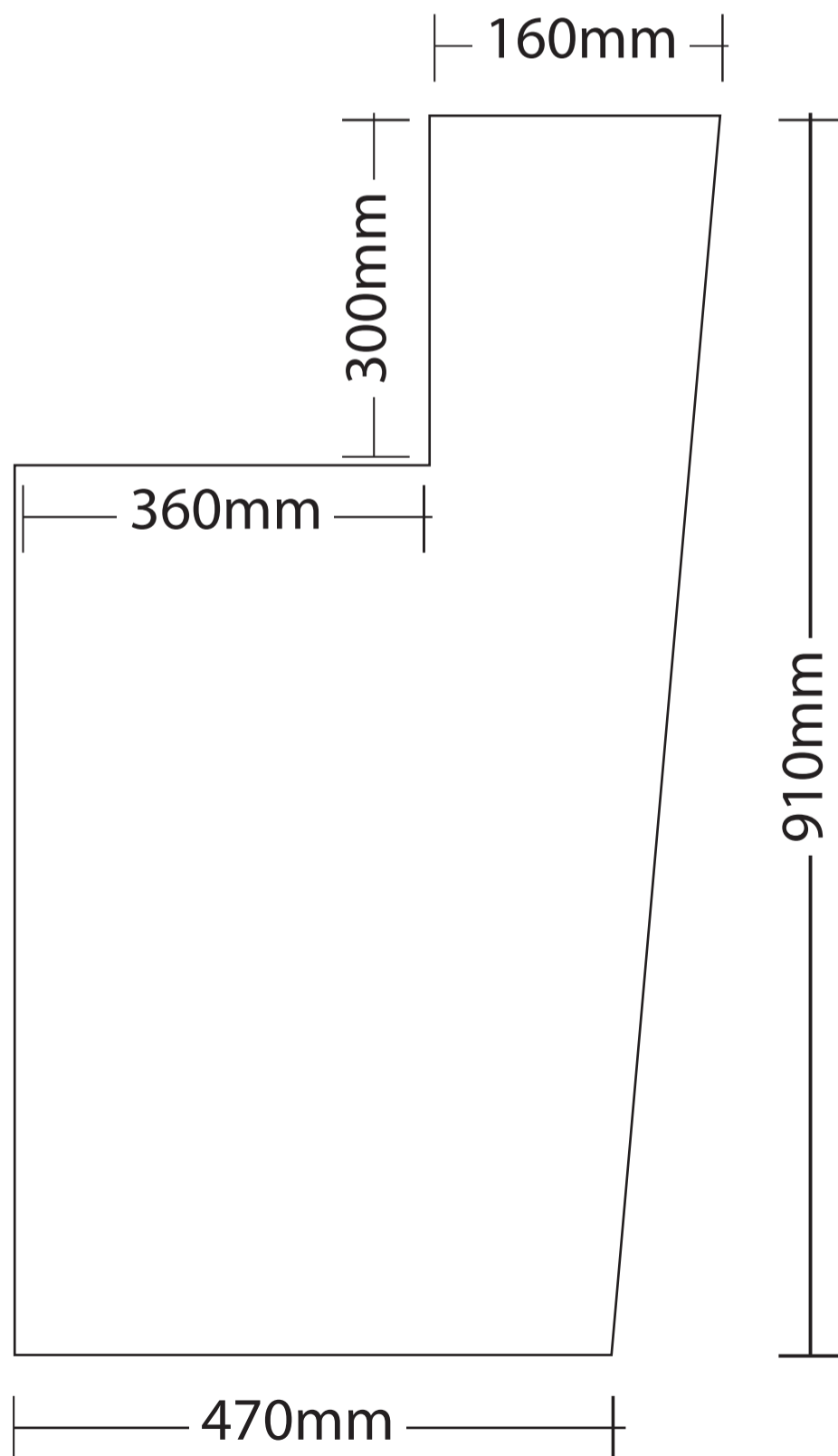
NOT TO SCALE.

# ZIP BAR - COUNTER TOP

NOTE: When creating artwork, make panels 20mm bigger on each dimension to allow for wrap.



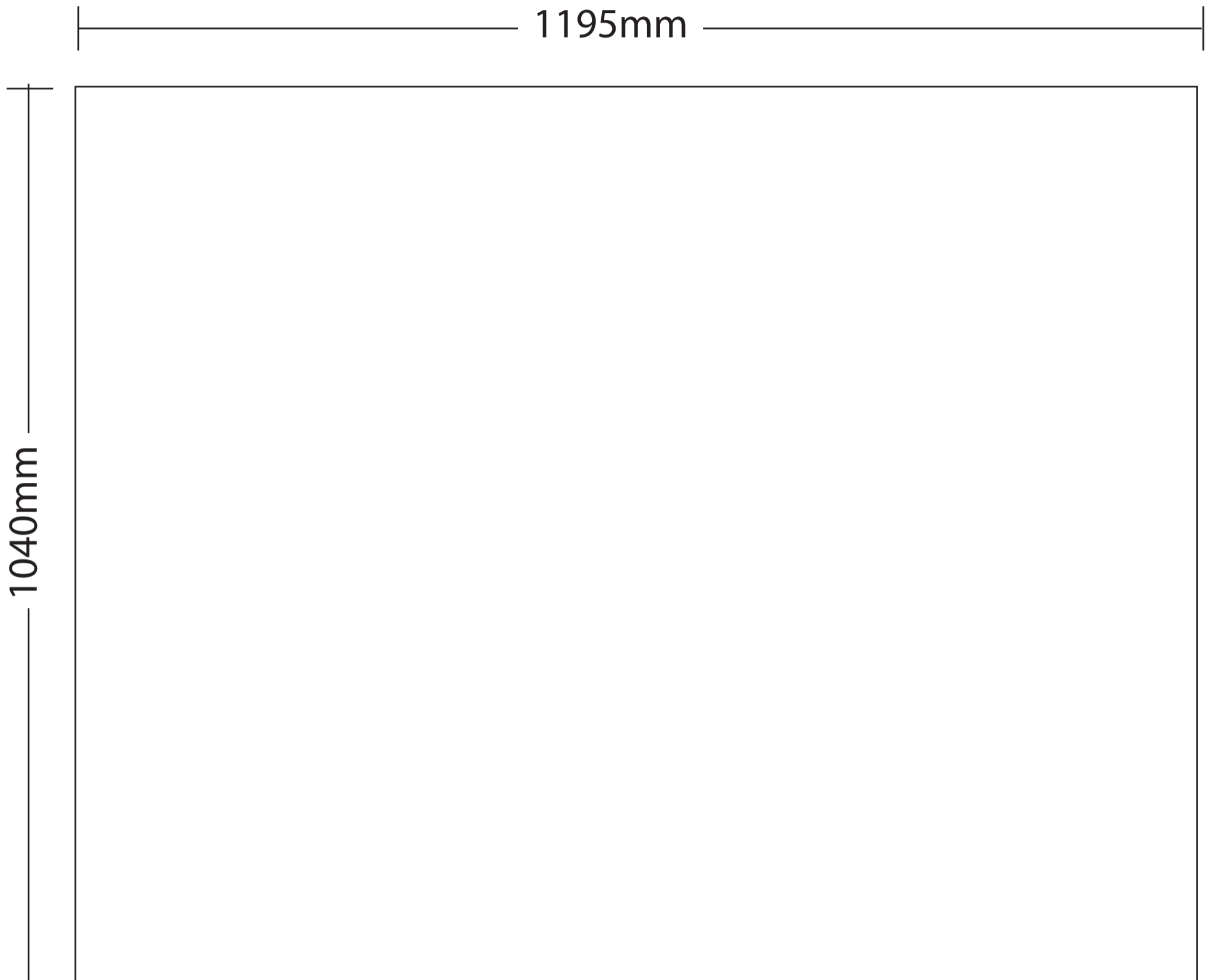
# ZIP BAR - END PANEL



NOT TO SCALE.

# ZIP BAR - BACK BAR

NOTE: When creating artwork, make panels 20mm bigger on each dimension to allow for wrap.



NOT TO SCALE.

